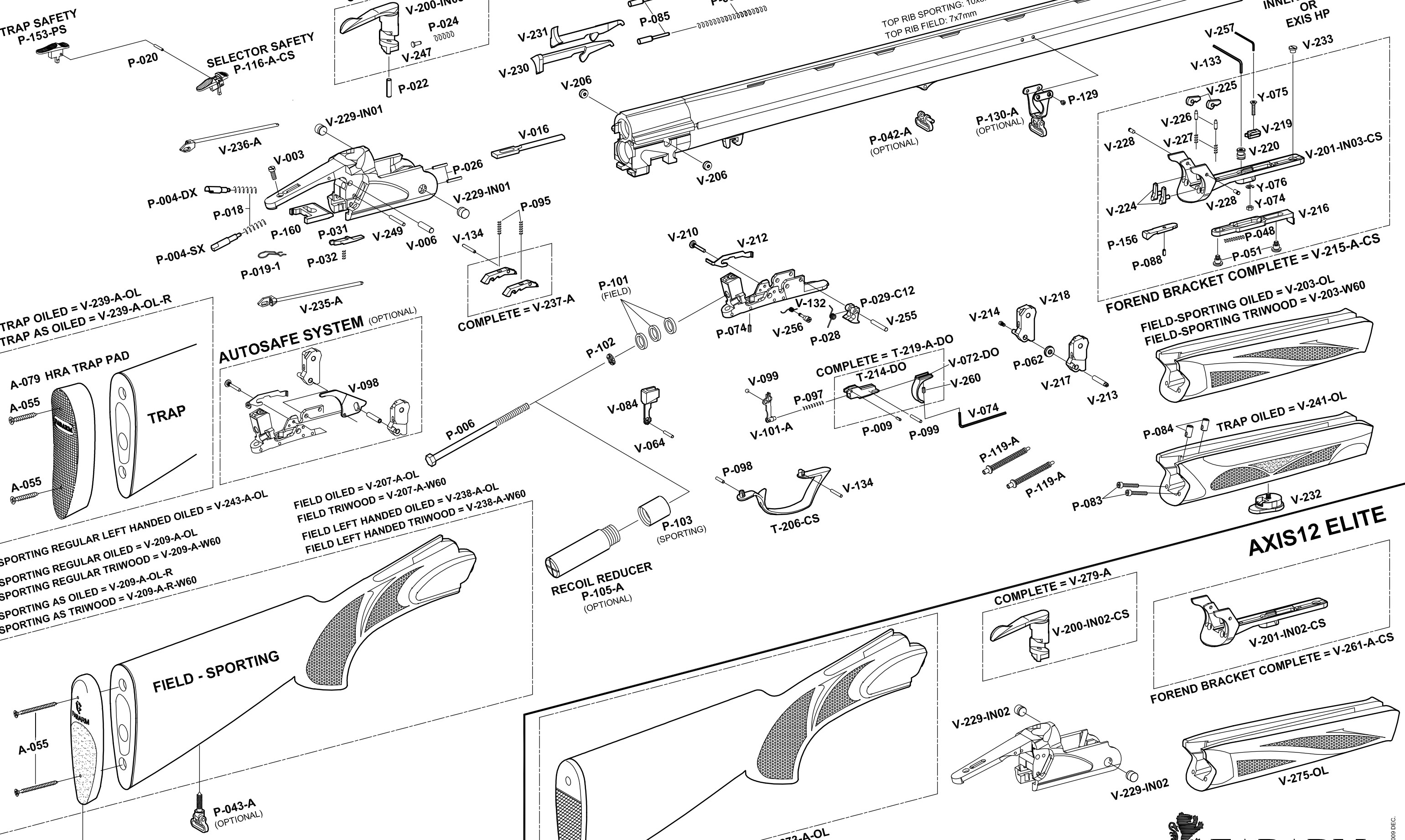


# AXIS 12

## 12 GAUGE



TRAP SAFETY  
P-153-PS

SELECTOR SAFETY  
P-116-A-CS

COMPLETE = V-278-A  
V-200-IN03-CS  
P-024  
V-247  
P-022

P-137-A HIVIZ TRICOMP  
P-138  
P-142 LPA OPTIC FIBER

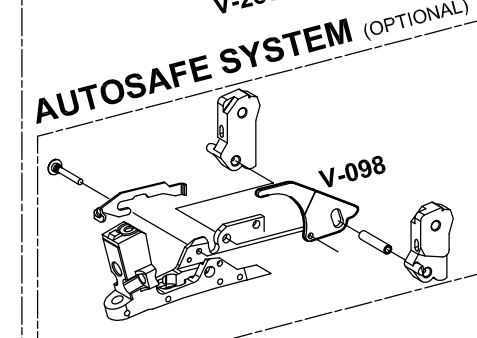
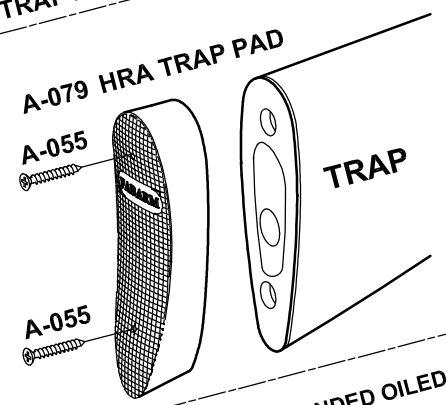
INNERCHOKE HP  
OR  
EXIS HP  
V-233

TOP RIB SPORTING: 10x8mm  
TOP RIB FIELD: 7x7mm

V-257  
V-133  
V-225  
Y-075  
V-219  
V-220  
V-201-IN03-CS  
V-228  
V-227  
V-226  
V-224  
V-228  
Y-076  
Y-074  
V-216  
P-156  
P-088  
P-048  
P-051

FOREND BRACKET COMPLETE = V-215-A-CS  
FIELD-SPORTING OILED = V-203-OL  
FIELD-SPORTING TRIWOOD = V-203-W60

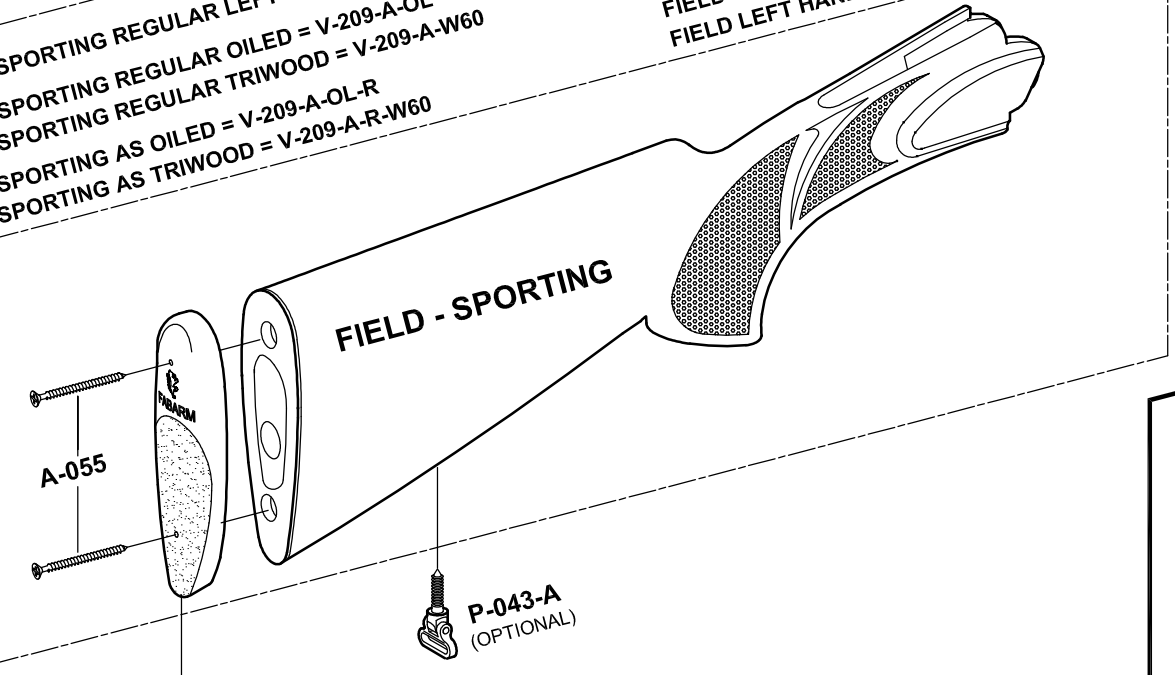
TRAP OILED = V-239-A-OL  
TRAP AS OILED = V-239-A-OL-R



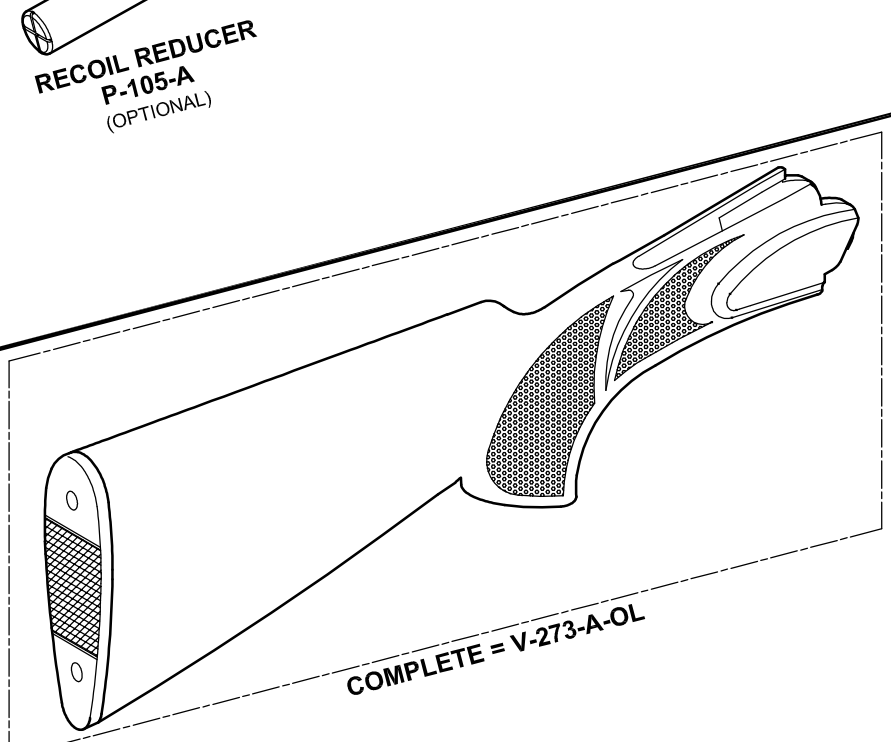
AUTOSAFE SYSTEM (OPTIONAL)  
V-098

SPORTING REGULAR LEFT HANDED OILED = V-243-A-OL  
SPORTING REGULAR OILED = V-209-A-OL  
SPORTING REGULAR TRIWOOD = V-209-A-W60  
SPORTING AS OILED = V-209-A-OL-R  
SPORTING AS TRIWOOD = V-209-A-R-W60

FIELD OILED = V-207-A-OL  
FIELD TRIWOOD = V-207-A-W60  
FIELD LEFT HANDED OILED = V-238-A-OL  
FIELD LEFT HANDED TRIWOOD = V-238-A-W60



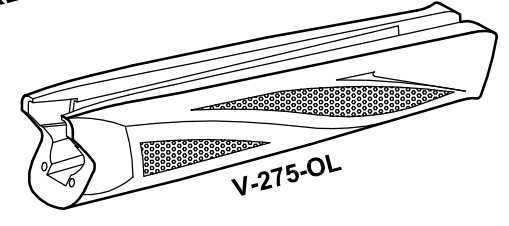
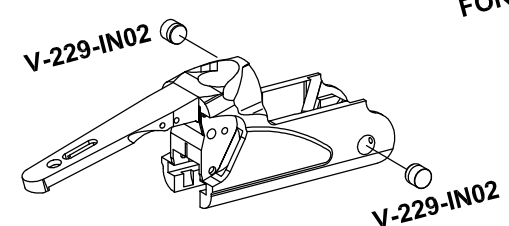
A-077 RUBBER HRA RECOIL PAD 12mm  
A-078 RUBBER HRA RECOIL PAD 22mm (OPTIONAL)  
A-056 WOOD PAD 12mm (OPTIONAL)



RECOIL REDUCER  
P-105-A  
(OPTIONAL)

COMPLETE = V-279-A  
V-200-IN02-CS

FOREND BRACKET COMPLETE = V-261-A-CS  
V-201-IN02-CS



# AXIS12 ELITE

